

RESILIENT SEATED GATE VALVE

(MANUAL OPERATION)

7.2

PN16 FLANGES

TEMPERATURE RANGE [°c]	0 to 70	WORKING PRESSURE	16 Bar
COATING	Fusion Bonded Epoxy	STANDARD	BS 5163, BS EN1074 1&2
APPROVALS	WRAS Approved		



Diameter	Face to Face	C/L to Top	C/L to Base	Weight	Handwheel Dia
"DN"	"L"	"H"	"H1"	Kgs	mm
50	178	215	83	9	200
65	190	235	93	13	200
80	203	265	100	15	254
100	229	315	110	19	254
125	254	350	125	26	315
150	267	385	143	37	315
200	292	485	170	55	315
250	330	600	203	85	406
300	356	680	230	118	406
350	381	810	260	210	500
400	406	890	290	217	500
450	432	1050	320	450	500
500	457	1230	358	537	650
600	508	1230	420	890	ISO F16
700	610	1360	464	1400	ISO F16
800	660	1530	517	1800	ISO F16
900	711	1690	563	2500	ISO F16

OPTIONS

- PN10/16/25 Flange Connections
- Table D/E
- Handwheel/Cap top/ISO top
- Spur/Bevel Gearbox/Actuator
- Anti clockwise Closing
- Bypass Arrangement

Technical drawings for illustrative purposes only.
Actual product may be subject to minor design changes.



CSG Valves Limited

Unit 1, Hortonwood 32,
Telford, TF1 7EU

T: +44 (0)1952 225 890

F: +44 (0)1952 225 899

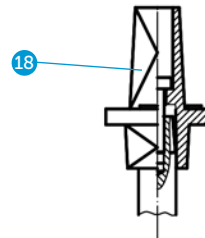
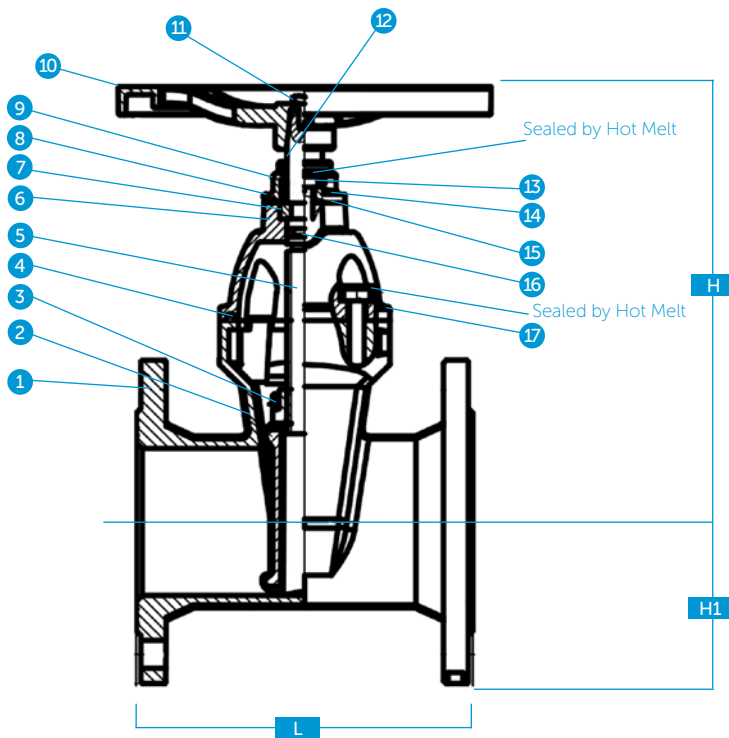
W: www.csgvalves.co.uk

E: info@csgvalves.co.uk



RESILIENT SEATED GATE VALVE

PART NO.	PART	MATERIAL	STANDARD
1	Body	Ductile Iron	BS EN 1563 GGG50
2	Disc	DI & EPDM	BS EN 1563 GGG50
3	Stem Nut	Bronze	
4	Bonnet Gasket	NBR	
5	Stem Nut	Stainless steel	SS316 (DIN 1.4401)
6	Bonnet	Ductile Iron	BS EN 1563 GGG50
7	Holding ring	Bronze	
8	O Ring	NBR	
9	Gland	Ductile Iron	BS EN 1563 GGG50
10	Handwheel	Ductile Iron	BS EN 1563 GGG50
11	Screw	Stainless steel	SS316 (DIN 1.4401)
12	Dust ring	NBR	
13	Gland bolts	Stainless steel	SS316 (DIN 1.4401)
14	O ring	NBR	
15	Separated sets	Nylon 66	
16	Auto sealing ring	NBR	
17	Bonnet bolts	Stainless steel	SS316 (DIN 1.4401)
18	Cap top	Ductile Iron	BS EN 1563 GGG50



CSG Valves Limited
 Unit 1, Hortonwood 32,
 Telford, TF1 7EU
T: +44 (0)1952 225 890
F: +44 (0)1952 225 899
W: www.csgvalves.co.uk
E: info@csgvalves.co.uk